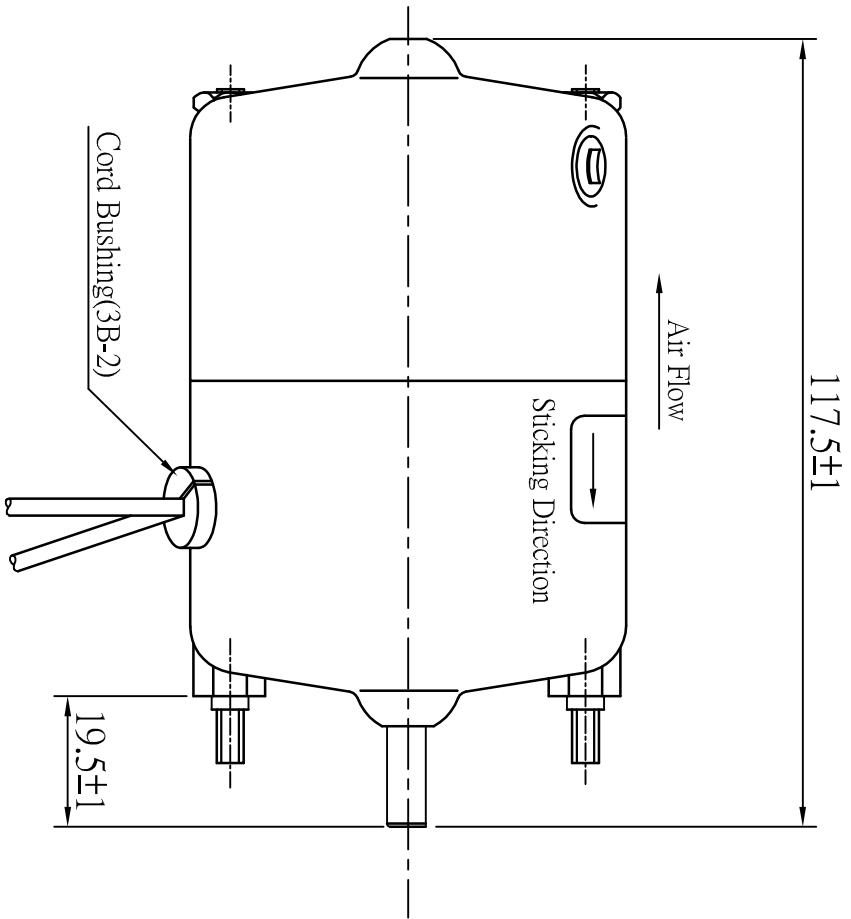


SPECIFICATION

1.MODEL	YM-40R
2.TYPE	COMMUTATOR MOTOR
3.DIMENSIONS	AS PER DRAWING
4.NAMEPLATE RATING	
1)VOLTAGE	220-250V AC
2)FREQUENCY	50/60Hz
3)CURRENT	0.35A
4)INPUT	70W
5.MOTOR CHARACTERISTICS	
1)VOLTAGE	230V AC,50Hz
2)INPUT	70W
3)LOAD CURRENT	0.35A±10%
4)SPEED	8500±1000R.P.M.
5)OUTPUT	35W±10%
6)STARTING TORQUE	MORE THAN 156.8mN · m(1600g-cm)
6.DIELECTRIC STRENGTH	AC 1250V FOR 1 MIN.OR
(Under Normal Condition)	AC 1400V FOR 1 SEC.
2)CUTOFF CURRENT	10mA
7.INSULATION RESISTANCE	MORE THAN 2MΩ
(Under Normal Condition)	



Outgoing Line JIS Single Cord 0.75mm² (Brown)

Outgoing Line JIS Single Cord 0.75mm² (Blue)

